



# Moment

Specification Guide

# Moment

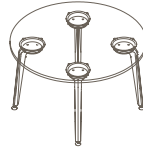
Moment is a workstation and table system designed to inspire a collaborative work environment.

The system has been thoughtfully designed to adapt to ongoing changes in workplace design with screens and accessories that can be easily interchanged or removed to create the desired work environment. Detail formed legs feature across the Moment product family to provide synergy throughout the office.

# Moment

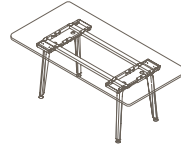
Tables

6-7



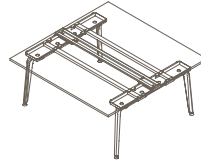
Multi-Leg Tables

7-10



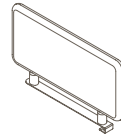
Workstation

12-14



Accessories

15-18



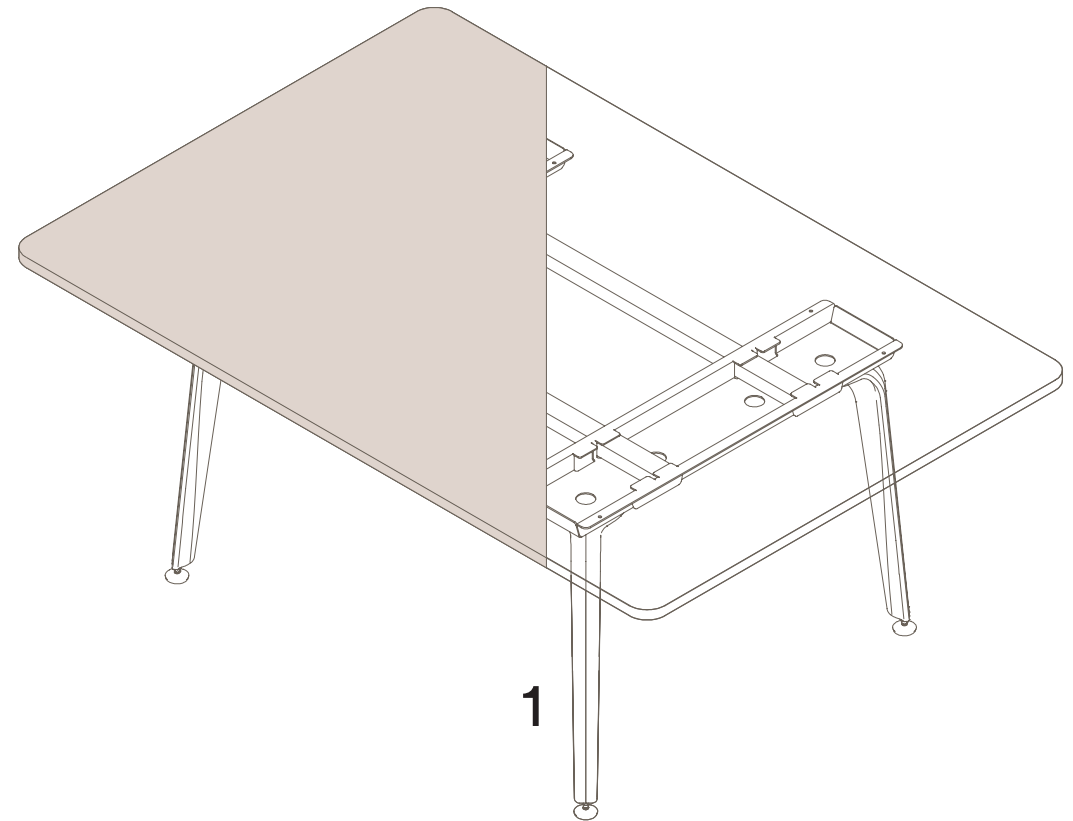
A technical line drawing of a table frame, showing the legs, crossbars, and a central support mechanism. The drawing is rendered in black lines on a white background. The word "Moment" is written in a large, bold, sans-serif font across the center of the image, overlapping the table's structure.

**Moment**

# Multi-Leg Finishes

## 1. Frame Finishes

Supported by steel framework, Moment legs are made from aluminium, polished as standard. Moment is also available in our current season powdercoat colours listed. Custom colours are also available.



Colours are representative only, please check with your Thinking Works consultant to view samples of any specific colour.

# Tables

## Round / Square / Triangle

### Materials Information

#### Leg Finish

Aluminium Legs

- a. Polished - Standard
- b. Zanilla
- c. Pink Salt
- d. Nocturenelle
- e. Minted
- f. Scotland Sky
- g. Green Smoke
- h. Folie
- i. Axel
- j. Blanc
- k. Noir

#### Frame Finish

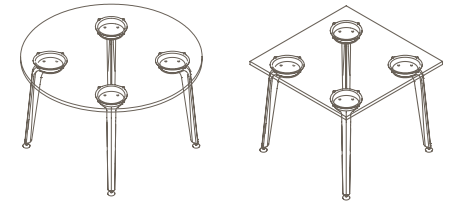
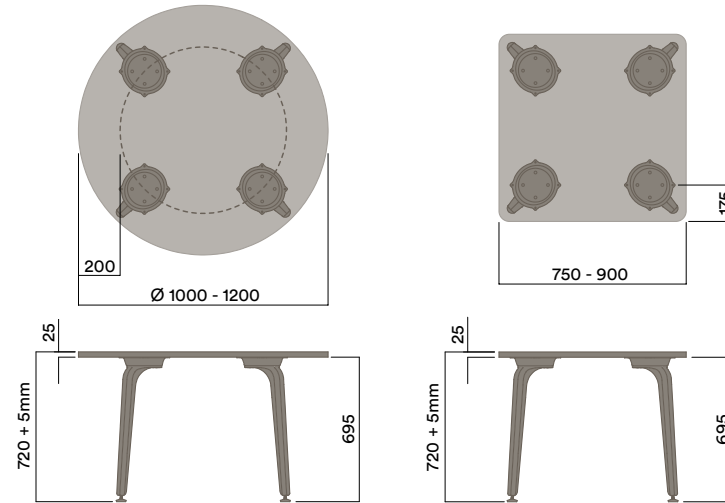
Steel Top Horn

- a. Black Powdercoat

Maximum inc. worktop 60kg  
 Maximum Point Load 30kg  
 Seats 2-4

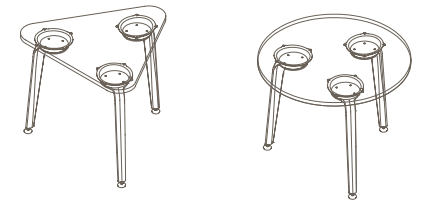
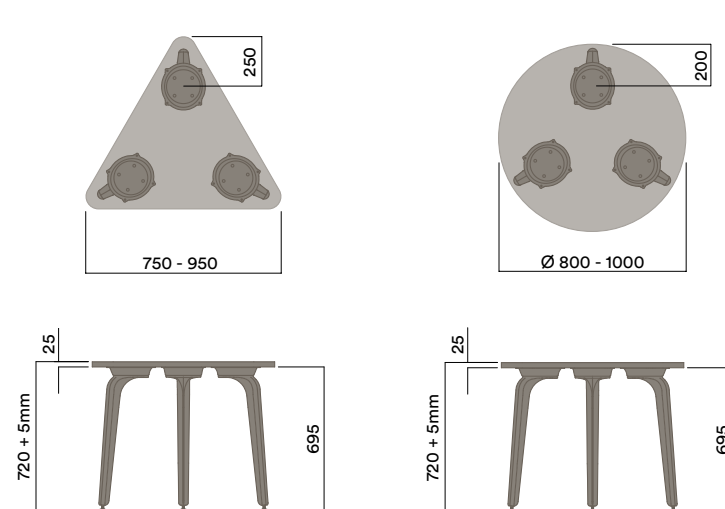
### MMT-1015

### 4 Leg Freestanding



### MMT-1060

### 3 Leg Freestanding



# Tables

## Round / Square

### Materials Information

#### Leg Finish

Aluminium Legs

- a. Polished - Standard
- b. Zanilla
- c. Pink Salt
- d. Nocturnelle
- e. Minted
- f. Scotland Sky
- g. Green Smoke
- h. Folie
- i. Axel
- j. Blanc
- k. Noir

#### Frame Finish

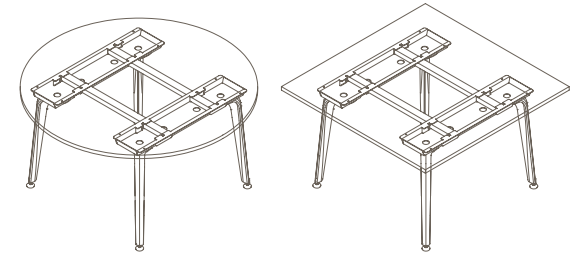
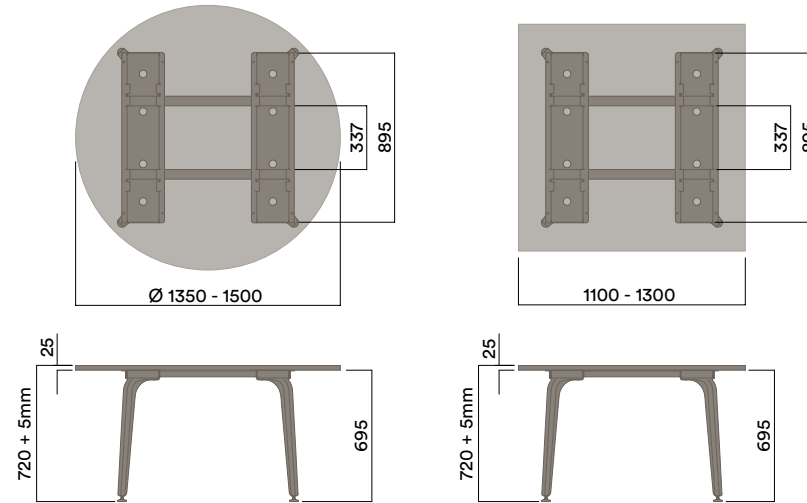
Steel Top Horn and Rails

- a. Black Powdercoat

Maximum inc. worktop 160kg  
 Maximum Point Load 50kg  
 Seats 4 - 8

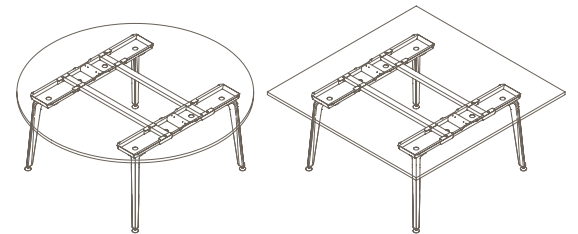
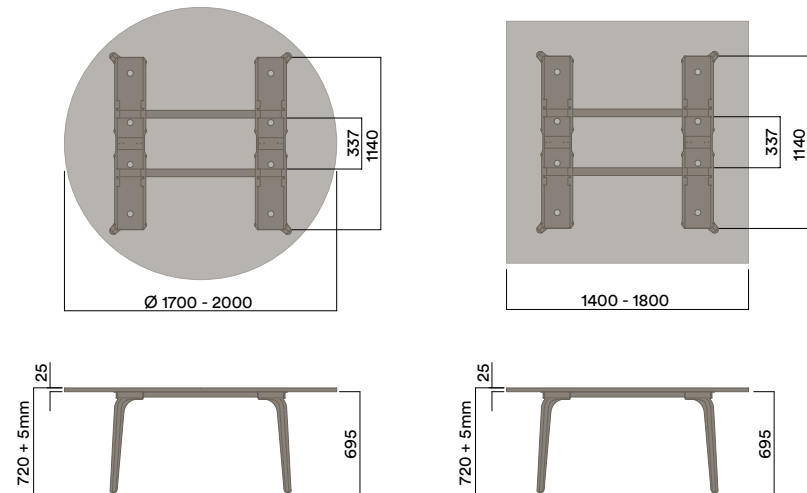
### MMT-1070

### 720 (standard height)



### MMT-1072

### 720 (standard height)



# Multi-Leg Rectangle

## Materials Information

### Leg Finish

Aluminium Legs

- a. Polished - Standard
- b. Zanilla
- c. Pink Salt
- d. Nocturnelle
- e. Minted
- f. Scotland Sky
- g. Green Smoke
- h. Folie
- i. Axel
- j. Blanc
- k. Noir

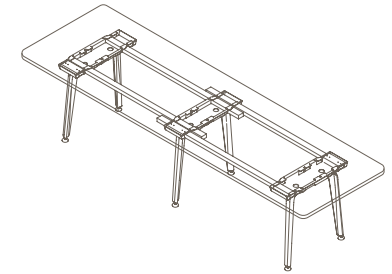
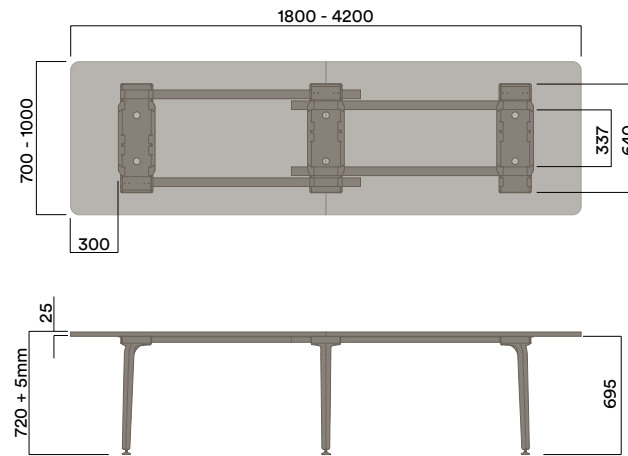
### Frame Finish

Steel Top Horn and Rails

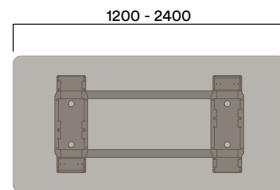
- a. Black Powdercoat

Maximum inc. worktop 160kg  
 Maximum Point Load 50kg  
 Seats 4 - 24

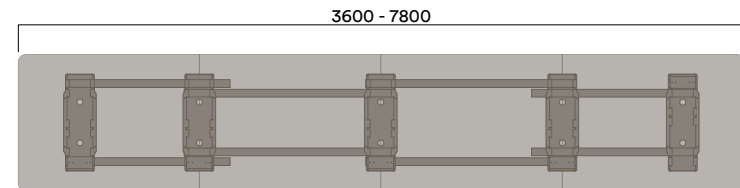
MMT-1051 6 Leg



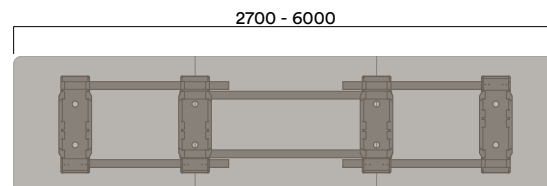
MMT-1050 4 Leg



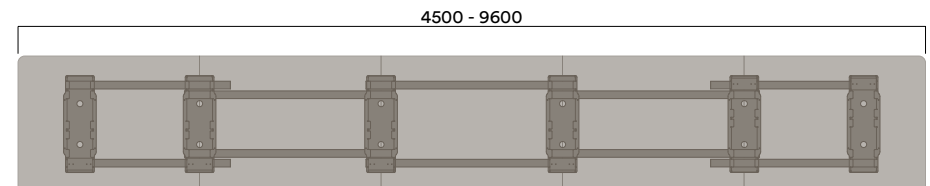
MMT-1053 10 Leg



MMT-1052 8 Leg



MMT-1054 12 Leg





# Multi-Leg Rectangle XL

## Materials Information

### Leg Finish

Aluminium Legs

- a. Polished - Standard
- b. Zanilla
- c. Pink Salt
- d. Nocturnelle
- e. Minted
- f. Scotland Sky
- g. Green Smoke
- h. Folie
- i. Axel
- j. Blanc
- k. Noir

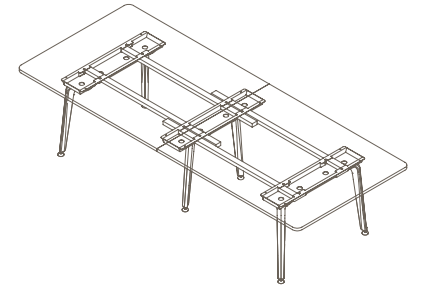
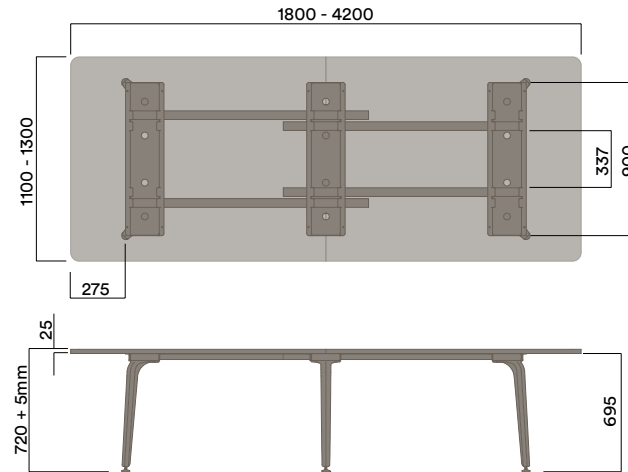
### Frame Finish

Steel Top Horn and Rails

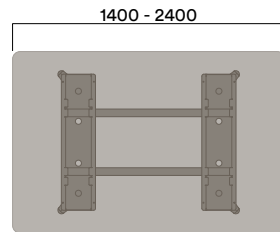
- a. Black Powdercoat

Maximum inc. worktop 160kg  
 Maximum Point Load 50kg  
 Seats 4 - 24

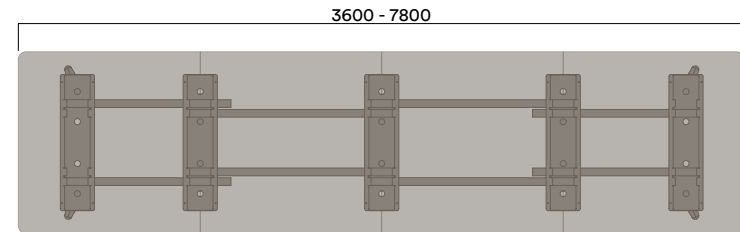
MMT-1051-XL 6 Leg



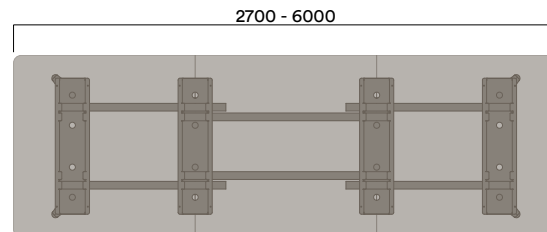
MMT-1050-XL 4 Leg



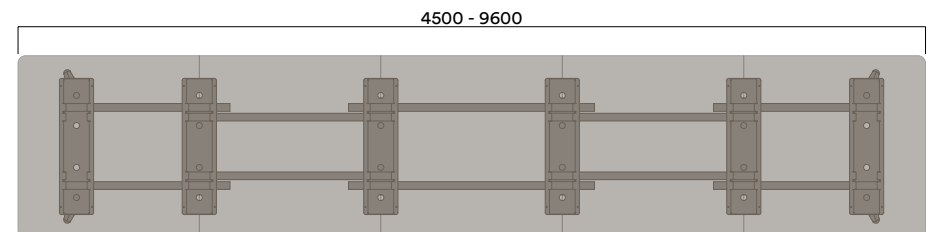
MMT-1053-XL 10 Leg



MMT-1052-XL 8 Leg



MMT-1054-XL 12 Leg



# Multi-Leg Rectangle XXL

## Materials Information

### Leg Finish

Aluminium Legs

- a. Polished - Standard
- b. Zanilla
- c. Pink Salt
- d. Nocturnelle
- e. Minted
- f. Scotland Sky
- g. Green Smoke
- h. Folie
- i. Axel
- j. Blanc
- k. Noir

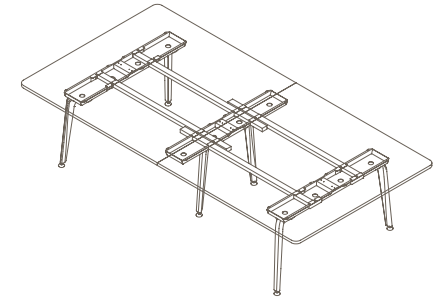
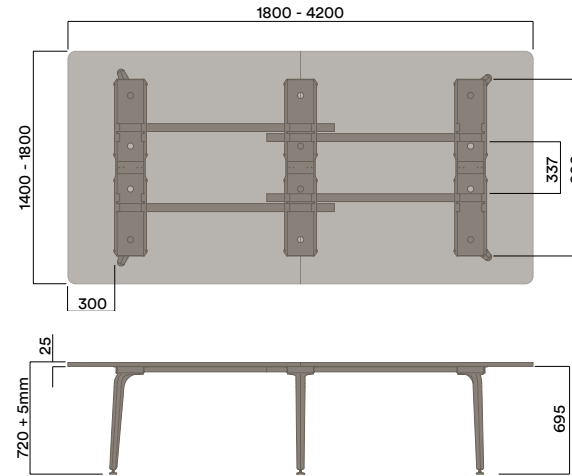
### Frame Finish

Steel Top Horn and Rails

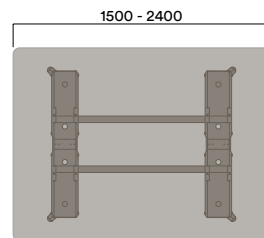
- a. Black Powdercoat

Maximum inc. worktop 160kg  
 Maximum Point Load 50kg  
 Seats 4 - 24

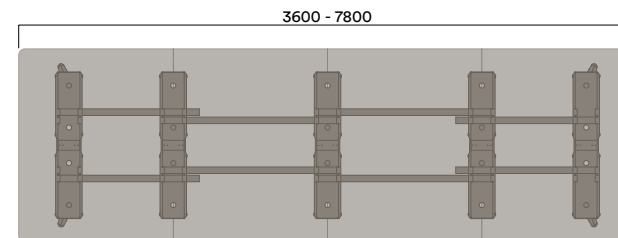
MMT-1051-XXL 6 Leg



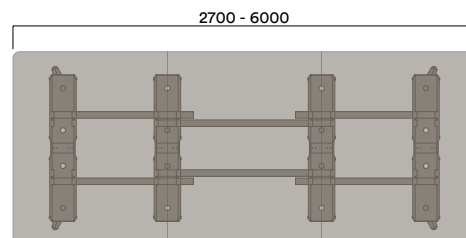
MMT-1050-XXL 4 Leg



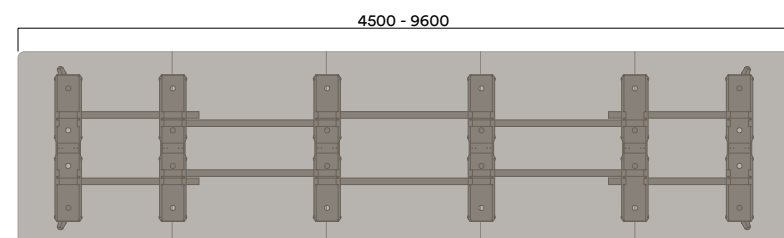
MMT-1053-XXL 10 Leg



MMT-1052-XXL 8 Leg



MMT-1054-XXL 12 Leg



# Workstation Finishes

## 1. Frame Finishes

Supported by steel framework, Moment legs are made from aluminium, polished as standard. Moment is also available in our current season powdercoat colours listed. Custom colours are also available. Central Accessory Rail is available in white as standard.

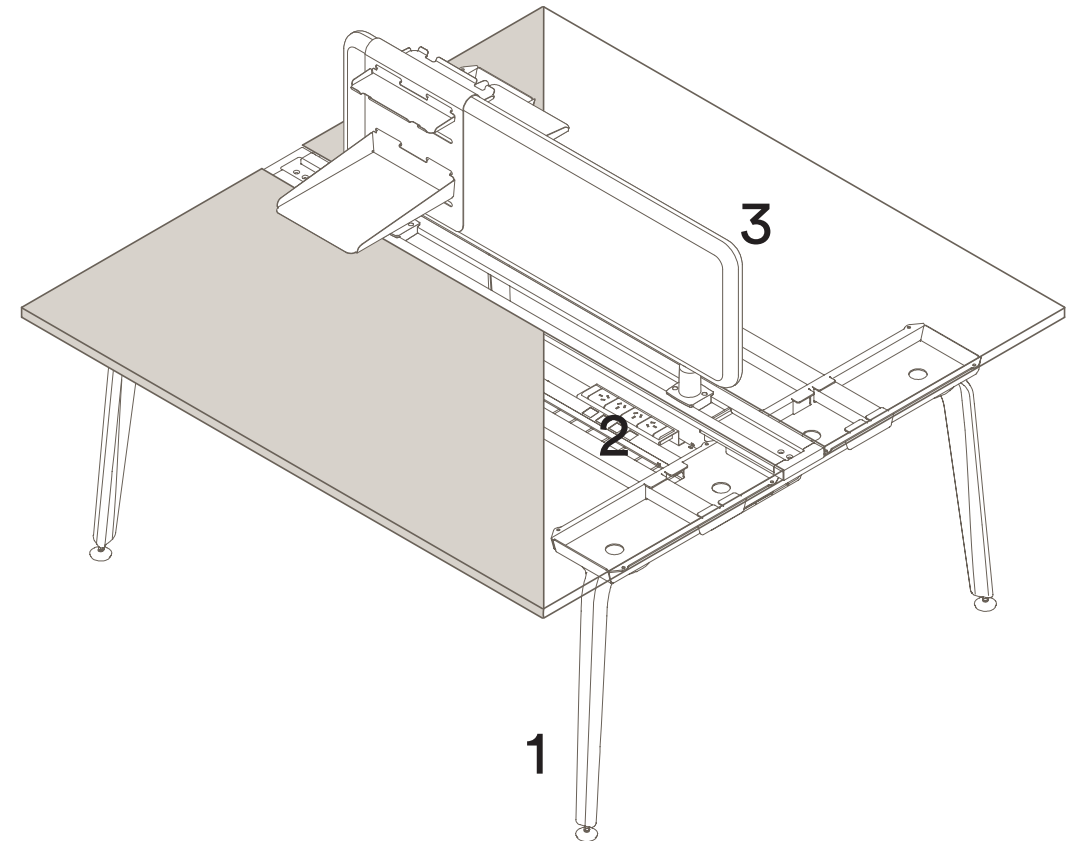


## 2. Cable Basket

Our wire cable management basket comes standard as Black powdercoat.

## 3. Workstation Screens

Our Workstation Screens can be Fabric upholstered to suit customer needs. Screens are also available in Acoustic PET.



Colours are representative only, please check with your Thinking Works consultant to view samples of any specific colour.

# Workstation Double Sided

## Materials Information

### Leg Finish

Aluminium Legs

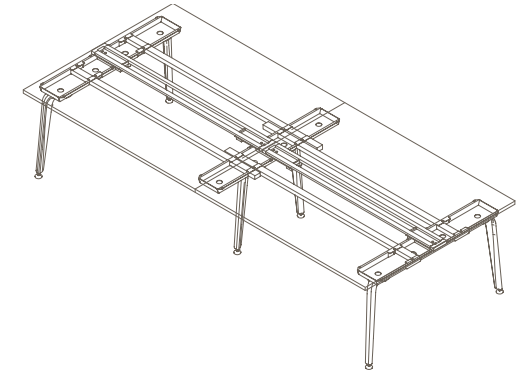
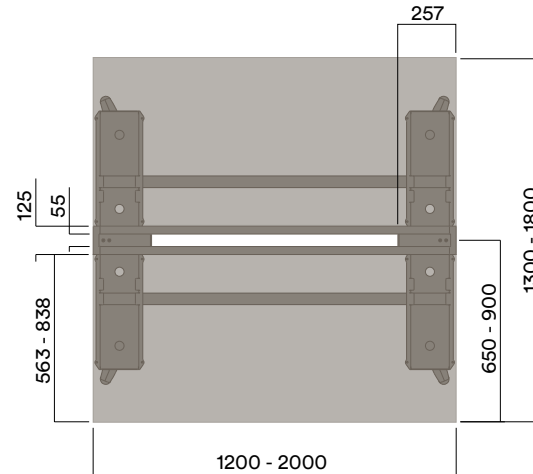
- a. Polished - Standard
- b. Zanilla
- c. Pink Salt
- d. Nocturnelle
- e. Minted
- f. Scotland Sky
- g. Green Smoke
- h. Folie
- i. Axel
- j. Blanc
- k. Noir

### Frame Finish

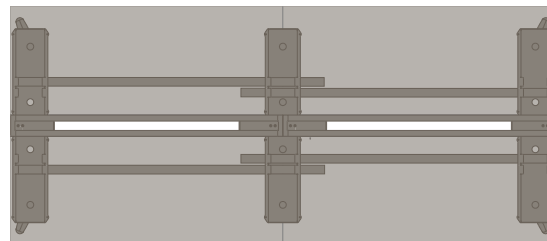
Steel Top Horn and Rails

- a. Black Powdercoat

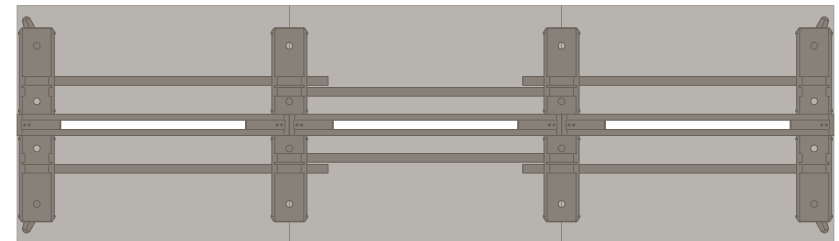
## MMW-2100 2pax



## MMW-2200 4pax



## MMW-2300 6pax



\*Inset Legs standard for back-to-back workstation configurations

Maximum inc. worktop	80kg
Maximum Point Load	50kg
Seats	2 - 8

# Workstation Single Sided

## Materials Information

### Leg Finish

Aluminium Legs

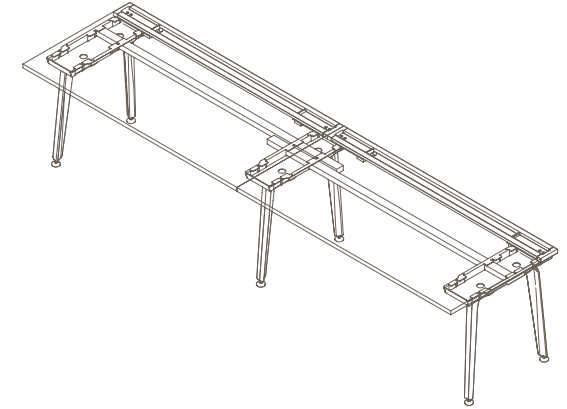
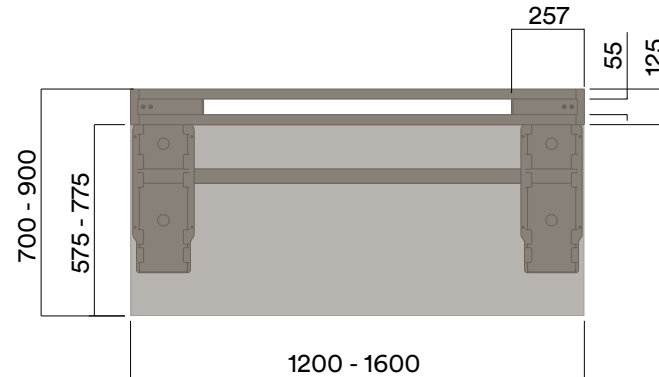
- a. Polished - Standard
- b. Zanilla
- c. Pink Salt
- d. Nocturnelle
- e. Minted
- f. Scotland Sky
- g. Green Smoke
- h. Folie
- i. Axel
- j. Blanc
- k. Noir

### Frame Finish

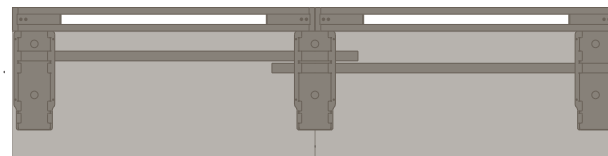
Steel Top Horn and Rails

- a. Black Powdercoat

## MMW-1100 1pax



## MMW-1200 2pax



## MMW-1300 3pax



Maximum inc. worktop 80kg  
 Maximum Point Load 50kg  
 Seats 1-4

# Workstation Return

## Materials Information

### Leg Finish

Aluminium Legs

- a. Polished - Standard
- b. Zanilla
- c. Pink Salt
- d. Nocturenelle
- e. Minted
- f. Scotland Sky
- g. Green Smoke
- h. Folie
- i. Axel
- j. Blanc
- k. Noir

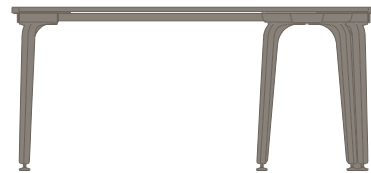
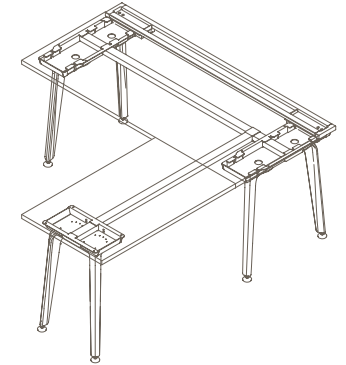
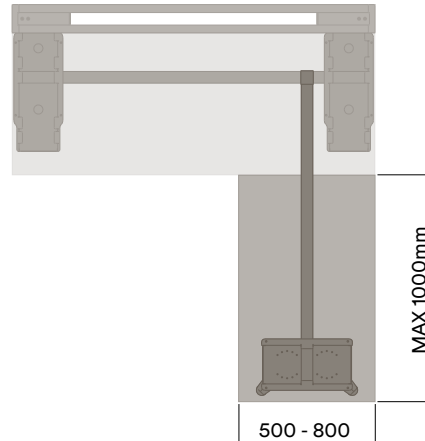
### Frame Finish

Steel Top Horn and Rails

- a. Black Powdercoat

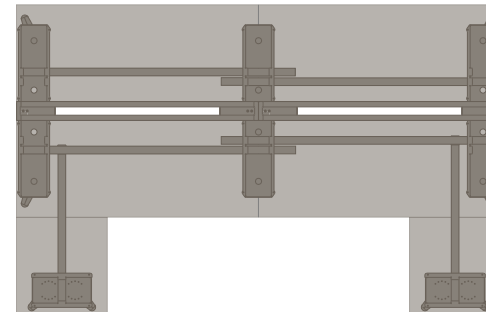
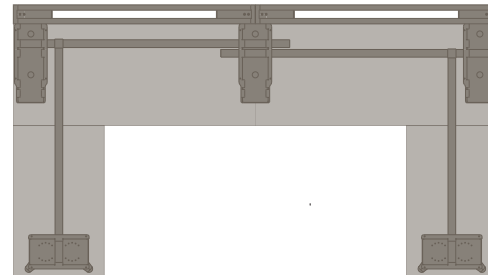
MMW-R-1010

Return Kit



Single Sided Return

Double Sided Return



Maximum inc. worktop 80kg  
Maximum Point Load 50kg  
Seats 1-4

# Workstation Accessories

## Materials Information

### Cable Basket

Wire Cable Basket

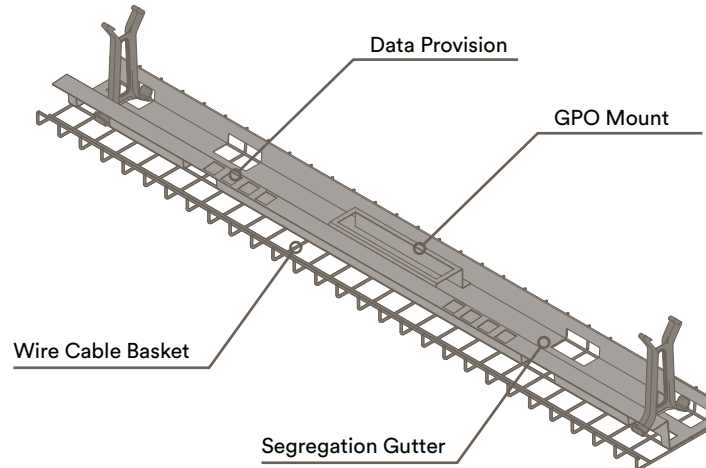
a. Black Powdercoat

Steel Segregation Gutter/Worktop Brackets

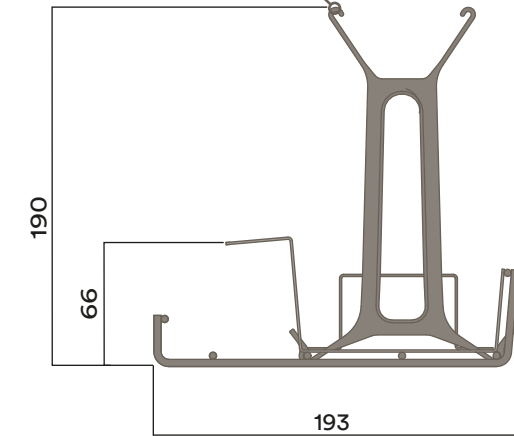
a. Black Powdercoat

## WSA-1100 Series

### Single Sided Cable Basket

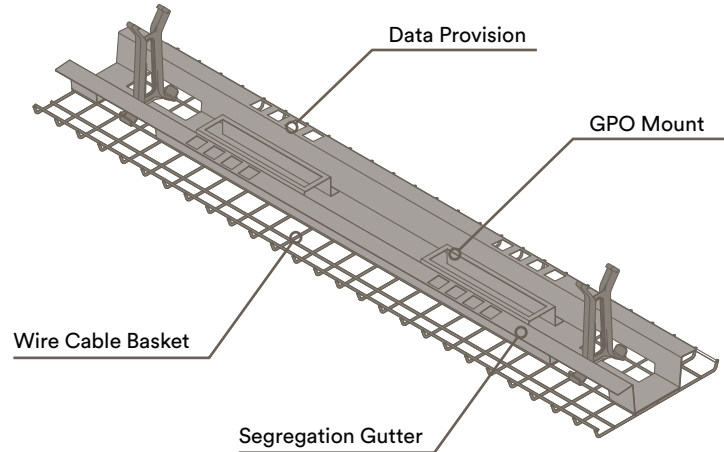


### Extrusion-mount Hook

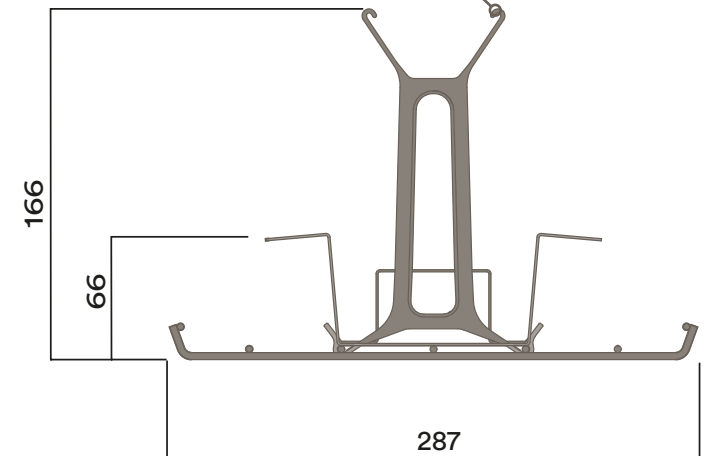


## WSA-2100 Series

### Double Sided Cable Basket



### Extrusion-mount Hook



# Workstation Accessories

## Materials Information

### Quiet Screen

Upholstered Screen Panel

a. Customer Supplied Fabric

### Screen Mounts

Powdercoat Aluminium Screen Mounts

a. White  
b. Other Colour

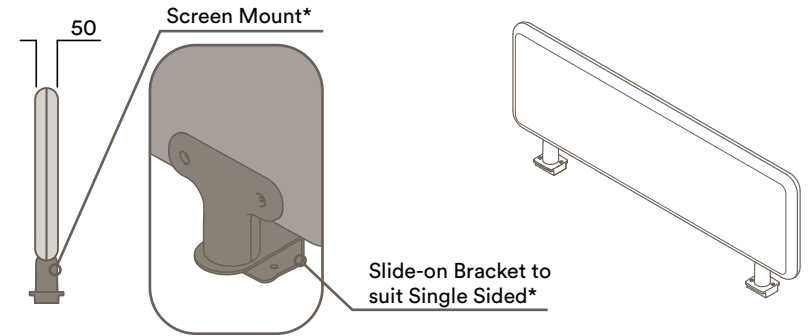
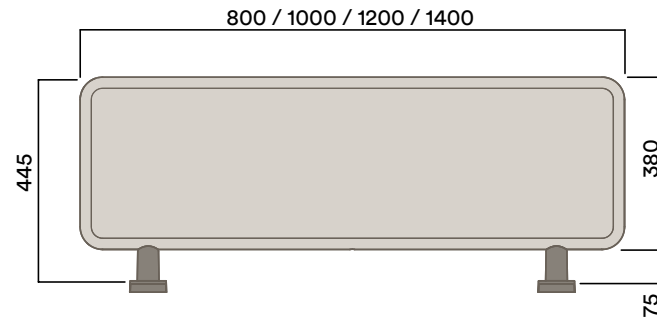
### Screen Accessories

Powdercoat sheet metal Accessories

a. White  
b. Other Colour

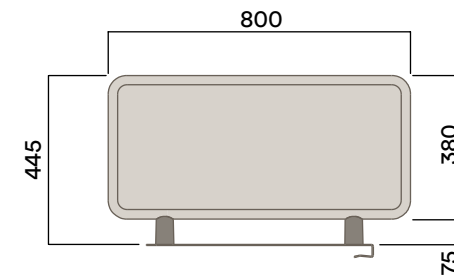
## Quiet Screen

Upholstered

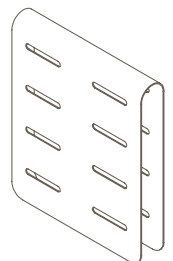
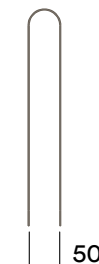
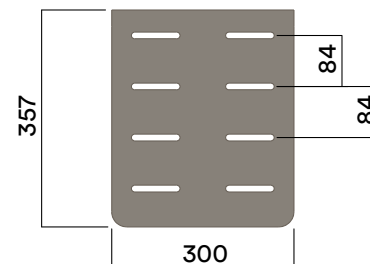


## Interpersonal Screen

Upholstered



## Accessory Saddle



### \*Screen Mounting Method

To suit single sided without Accessory Rail



# Workstation Accessories

## Materials Information

### Screen Accessories

Powdercoat sheet metal Accessories

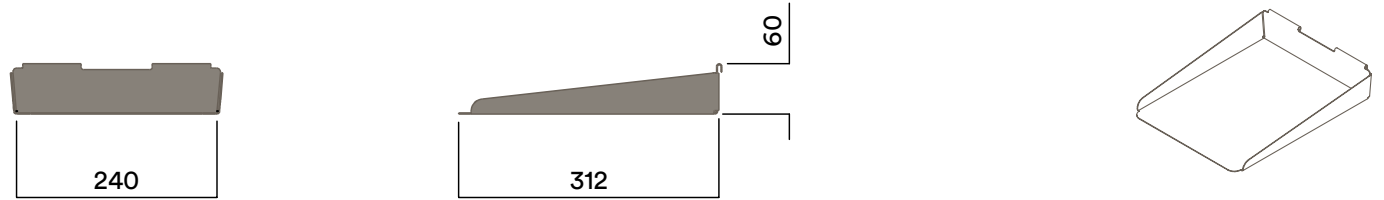
- a. White
- b. Other Colour

### Modesty Panel

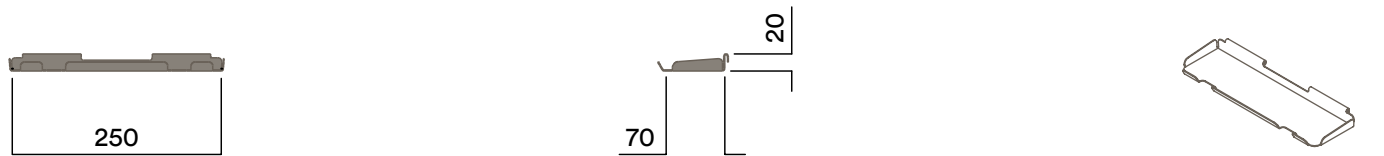
Powdercoat sheet metal

- a. White
- b. Other Colour

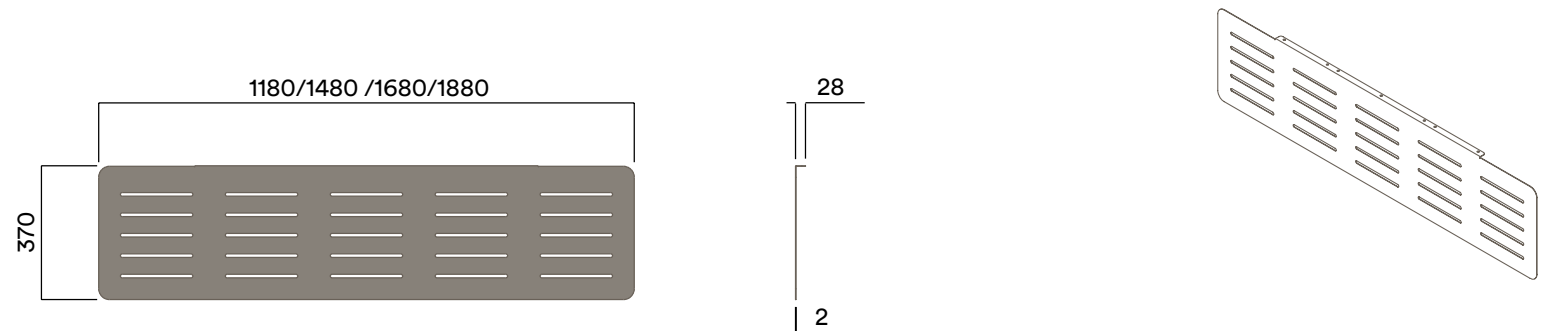
## Paper Tray



## Personal Tray



## Modesty Panel



# Workstation Accessories

## Materials Information

### Acoustic Screen PET Screen Panel

- a. Light Grey
- b. Dark Grey

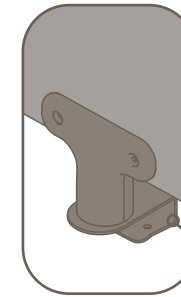
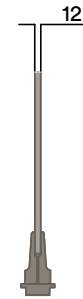
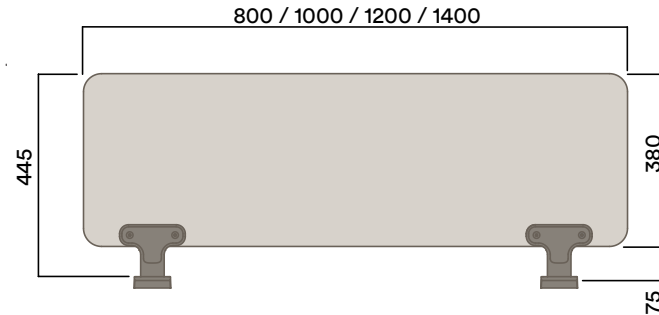
### Screen Mounts

Powdercoat Aluminium Screen Mounts

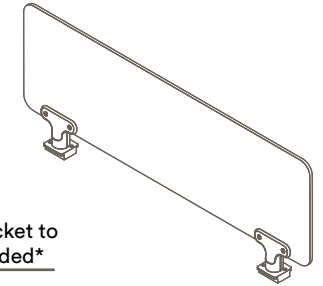
- a. White
- b. Other Colour

## Acoustic Screen

## PET Panel

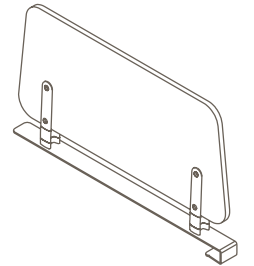
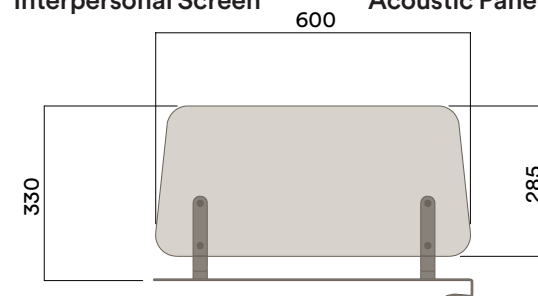


Slide-on Bracket to suit Single Sided\*



## Interpersonal Screen

## Acoustic Panel



### \*Screen Mounting Method

To suit single sided without Accessory Rail



### **Specification**

Due to our policy of continuous product development, specifications and finishes may change without prior notice.

### **Sustainability Policy**

We realise the importance of responsible business practices and have in place numerous product and company sustainability certifications. We would encourage you to download our annual Sustainability Report from the Thinking Works website to get a full overview of our sustainability program.

Thinking Works  
© Copyright 2018  
All right reserved