

PLN GROUP



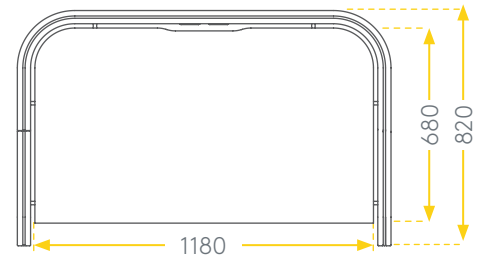
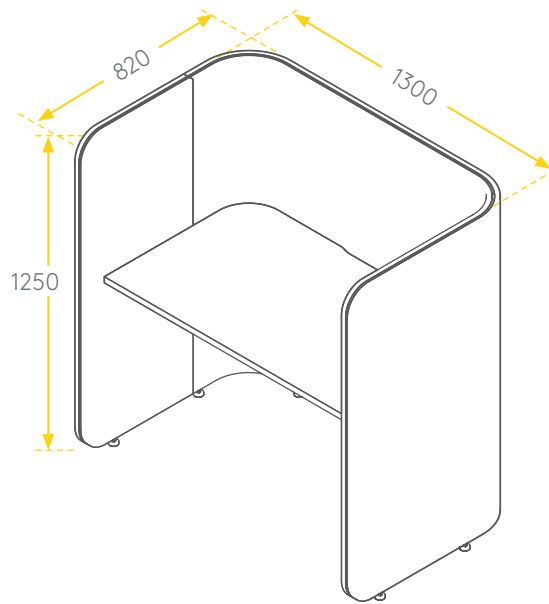
SHORT TAIL FOCUS POD LITE

Designed by IQ Commercial

SHORT TAIL FOCUS POD LITE

Designed by IQ COMMERCIAL

PLN GROUP



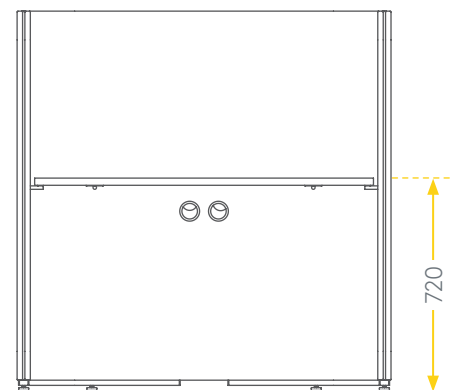
Dimensions 1300L x 820W x 1250H

About

Short Tail Focus Pod Lite is a destination touch-down point which offers privacy for individual focused work.

The soft, upholstered walls absorb noise common in today's open-plan office and provide shelter from both visual and acoustic distractions.

Easily installed and relocated, the pods are ideal for the agile workspace.

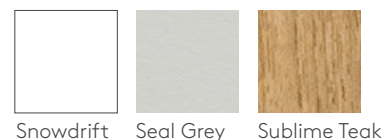


Specifications

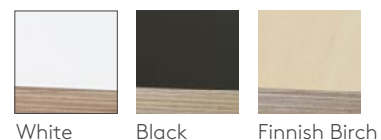
- High-quality materials and premium upholstery options for long-lasting durability.
- Frame is lighter-weight MDF, water-based glues
- Worktops available in Standard Melteca (LPL) with edgebanding, Plytech Futura (European Birch HPL), or Plytech Spectrum Eco (Finnish Birch HPL). Prices may vary, please enquire.
- Power Data includes the base unit and an interconnect cable; starters may be required to be sourced locally. Internal routing provided; assumes floor sourced power connection
- Units nest for economical shipping.
- Weight: 58 kg

WORKTOP COLOURS

Standard Melteca



Futura HPL



Designed and made in New Zealand.

www.plngroup.co.nz